

ASTAM VALVE

匯盈工業股份有限公司
ASTAM VALVE ENTERPRISE CO.,LTD.

桃園縣八德市後庄街 26 巷 6 號 郵編 :334
電話 :03-3632055,03-3672811 傳真 :03-3631870,03-3675805
No.6 Lane 26 Ho-Chuang St.Bade City, Taoyuan Country, Taiwan. 〒334
TEL:886-3-3632055,886-3-3672811 FAX:886-3-3631870,886-3-3675805
E-mail:sales1@astam-valve.com info@astam-valve.com

ASTAM VALVE

WAFER CHECK VALVES

蝶型止回閥





	Page
1. 雙門對夾式止回閥 (Dual-Plate Wafer Check Valve) - C1 雙門對夾式止回閥附旁通閥 (Dual-Plate Wafer Check Valve for by-pass) - C2	6-9
2. 雙門雙法蘭對夾式止回閥 (Dual-Plate Double-Flange Wafer Check Valve) - C3 雙門全法蘭對夾式止回閥 (Dual-Plate Full-Flange Wafer Check Valve) - C4	10-11
3. 雙門無塞頭雙法蘭對夾式止回閥 (Dual-Plate Retainerless Double Flanged Check Valve) - C7 雙門無塞頭全法蘭對夾式止回閥 (Dual-Plate Retainerless Full-Flanged Wafer Check Valve) - C8	12-13
4. 雙門無塞頭對夾式止回閥 (Dual-Plate Retainerless Wafer Check Valve) - C6	14
5. 單門對夾式止回閥 (閘桿式) Single-Plate Wafer Check Valve(Pin type) - SL	15
6. 單門對夾式止回閥 (固定式) Single-Plate Wafer Check Valve(Bush type) - WL	16
7. 外徑尺寸一欄表 Outside Dimension Chart	17
8. 證書 Certificates	18



公司簡介 Company Introduction

公司名稱	匯盈工業股份有限公司 ASTAM VALVE ENTERPRISE CO., LTD. 台灣省桃園縣八德市大發里後庄街 2 6 巷 6 號
公司地址	No.6 Lane 26 Ho-Couang St. Bade City, Taoyuan County 334, Taiwan TEL: 886-3-3672811. 3675807 FAX: 886-3-3631870. 3675805 http://www.astam-valve.com Email: sales1@astam-valve.com
成立時間	1994.05
資本額	NTD 10,000,000
董事長	簡武雄 JEAN.W.S.

沿革 Company History

1985.05	ASTAM INC.成立於日本,從事基礎產業機械用閥類(Check Valve)設計製造販售。 "ASTAM INC." establish in Japan, design, manufacture, sale for basis industry mechanical valve (Check Valve).
1987.07	ASTAM INC.與台灣技術合作並設立生產基地,資本額500萬,生產薄型雙瓣式和單瓣式逆止閥。 Enter a technical agreement with ASTAM INC. establish basis of factory in Taiwan. In the initial stage to throw into NTD5,000.000 to produce Dual Plate Wafer Type Check Valve & Single Door Wafer Type Check Valve.
1994.05	台灣ASTAM VALVE ENTERPRISE CO., LTD (AVECO)正式設立. 資本額1000萬。 ASTAM VALVE ENTERPRISE CO., LTD (AVECO) establish in Taiwan, paid up capital NTD 10,000.000
1997.12	AVECO委託德國萊茵技術顧問(股)公司評鑑通過ISO 9002: 1994驗證. 證書號碼: 09-100-79125 Awarded Assessment of ISO-9002:1994 Quality Management System by TUV Rheinland. Certificate Registration No. 09-100-79125
2000.12	AVECO再取得ISO 9002:1994閘閥,球閥評鑑合格。 AVECO acquire ISO 9002:1994 Gate Valve. Globe Valve.
2002.01	委託德國萊茵技術顧問(股)公司評鑑通過ISO 9001:2000驗證. 證書號碼: 09-100-79125 Awarded assessment of ISO-9001:2000 Quality Management System by TUV Rheinland. Certificate Registration No. 09-100-79125
2002.04	委託德國萊茵技術顧問(股)公司評鑑通過CE產品安全驗證。 證書號碼: 01 202 ROC/Q-01 0010 Awarded assessment of CE Mark (97/23/EC) by TUV Rheinland. Certificate Registration No. 01 202 ROC/Q-01 0010
2006.12	AVECO 取得美國石油協會認證 (API Spec 6D), 證書號碼: 6D-0656 AVECO acquired API Spec 6D certificate, Certificate Registration No.: 6D-0656



Design Features

Dual-Plate Check Valve

ASTAM VALVE utilizing their abundant technology and past experience in the production in conjunction and newly adding the several features thereto has created ASTAM VALVE provided with the function responding the needs of every user

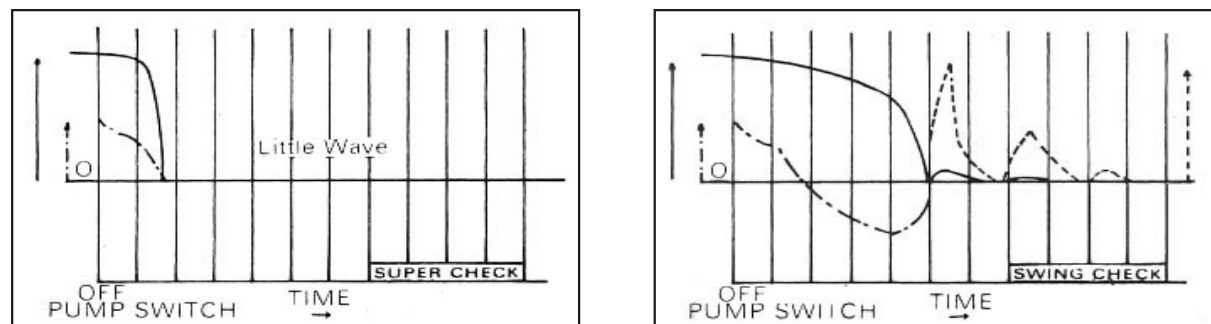
The ASTAM VALVE thus developed by us is consisting of Wafer type body, plate, seal/seat, torsion spring and pin provided internally, is so compact that the face to face may be reduced to about 1/4 and the weight may be about 1/5 when compared with the Conventional Swing Check Valve, and is thus more durable and thin.

The ASTAM VALVE is designed so light that it will not apply any unnecessary load and such the casing of the expensive pump and compressor, furthermore making the support bed and the foundation work unnecessary it will save the construction works and maintainance.

Important Features:

★ ALLEVIATION from WATER HAMMER

Reaction of torsion spring installed inner valve makes plate rapidly close prior to the start of reverse flow of fluid due to the stop of power, thus prevents pipe, pump and other piping facilities from the damage and trouble due to the Water Hammer effect vertical postion .



★ LOWER HEAD LOSS

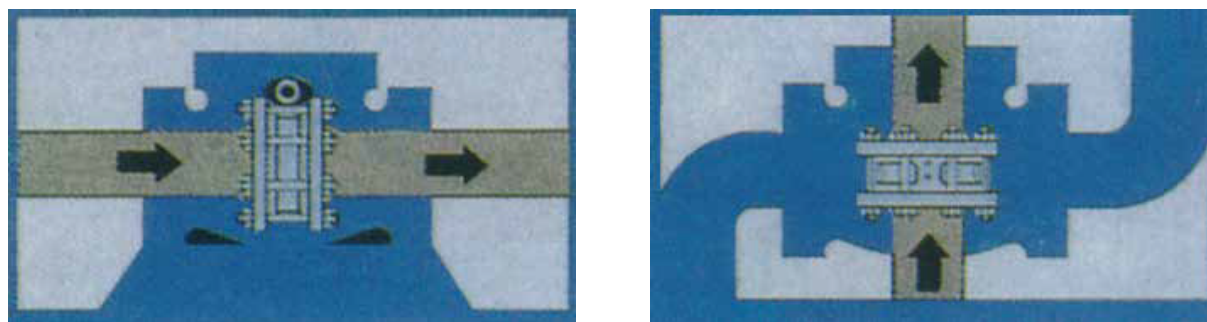
It is designed as that opening area is expended to the allowable and head loss of flow passage is less when compared with those of similar Dual Plate Check Valve.

★ FREE IN INSTALLING DIRECTION

In addition to the compact shape ASTAM CHECK can be installed either Horizontally or Vertically.

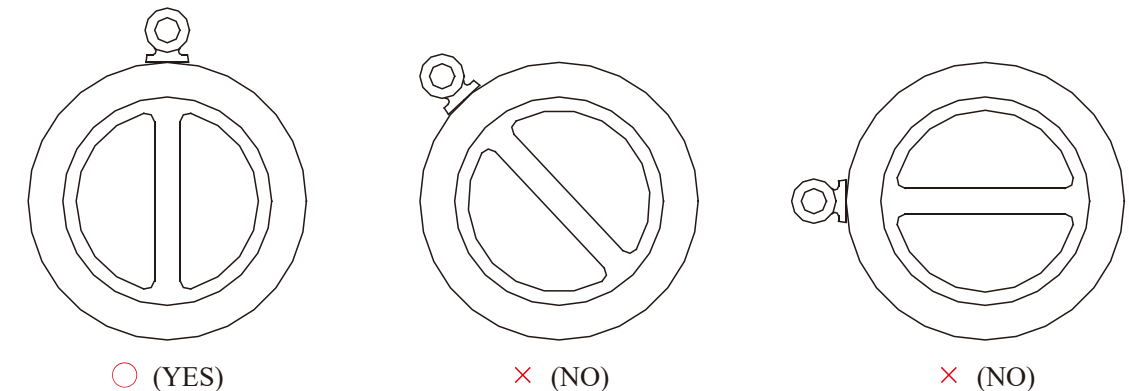
★ LONG LEG TORSION SPRING

Action which allows the plates to open and close without seat scrubbing

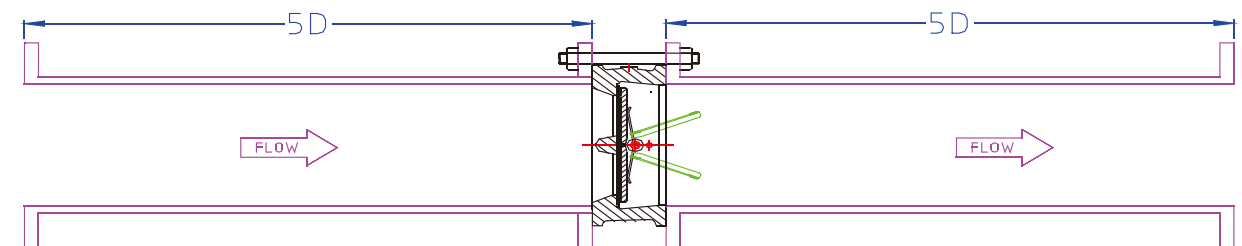


CAUTIONAL POINTS FOR DESIGN & INSTALLATION

- ★ Since the valve plate of Astam Check operates within the range of GR please be so careful in piping work that it won't make any touch with a tip of pipe, gasket packing, butterfly valve, etc.
- ★ In case of horizontal piping, please install Astam Check so that the rib of the Check Valve is to be vertical position and that the flow indication marked on the Check Valve is to be matched with a actual service flow.



- ★ Upon the installation, it can be previously and temporarily set the half numbers of necessary stud bolts at the bottom part and insert between the flange. However, in case of hanging, please positively use eyebolts (for 6" and larger size).
- ★ Upon the installation, please install Astam Check Valve at the distance of 5D minimum (D is pipe diameter) from the discharge outlet of equipment and apparatus where turbulence flow may easily occur such as discharge outlet of pump, reducer, swedge or expansion.



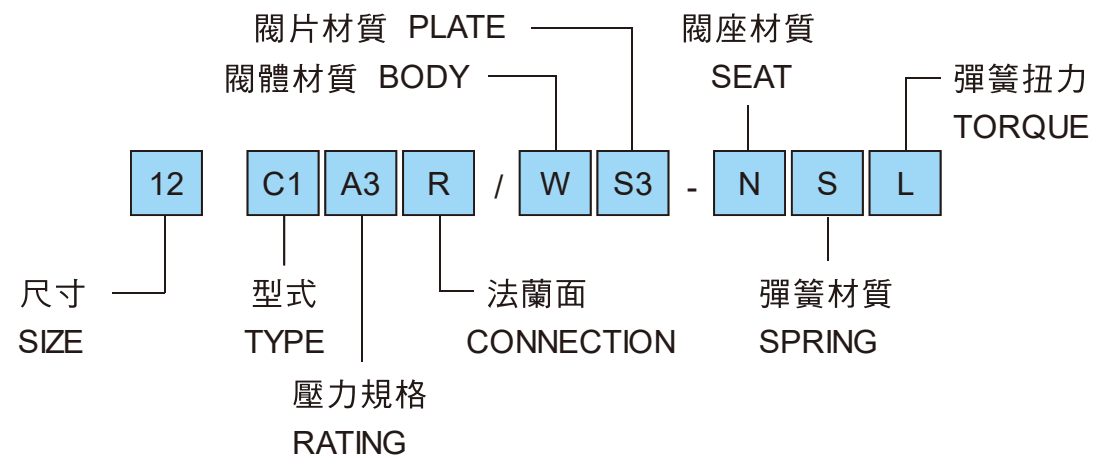
- ★ Astam Check Valve is designed the chattering and fluttering phenomenon possible not occur, however such phenomenon may occur due to the inadequate care of spring torque, turbulence flow, flow rate, velocity and direction of installation.

Therefore, if any such care should be consider, please do not hesitate to ask our sales engineers for the consideration.



■ 詳細規格 INFORMATION

產品編碼說明 DESCRIPTION FOR VALVE CODE



範例說明：美標雙門對夾式止回閥，12"-150#、R.F端面、WCB閥體、CF8閥片、NBR閥座、S.S 316低扭力彈簧。

Example for valve code: Dual-Plate Wafer Check Valve, ANSI 12"-150#, R.F End, WCB BODY, CF8 PLATE, NBR SEAT, S.S 316 SPRING LOW TORQUE.

型式 TYPE

記號 SYMBOL	稱呼 DESIGNATION
C1	雙門對夾式止回閥 Dual-Plate Wafer Check Valve
C2	雙門對夾式止回閥附旁通閥 Dual-Plate Wafer Check Valve for by-pass
C3	雙門雙法蘭對夾式止回閥 Dual-Plate Double-Flanged Wafer Check Valve
C4	雙門全法蘭對夾式止回閥 Dual-Plate Full-Flanged Wafer Check Valve
C6	雙門無塞頭對夾式止回閥 Dual-Plate Retainerless Wafer Check Valve
C7	雙門無塞頭雙法蘭對夾式止回閥 Dual-Plate Retainerless Double Flanged Check Valve
C8	雙門無塞頭全法蘭對夾式止回閥 Dual-Plate Retainerless Full-Flanged Wafer Check Valve
SL	單門對夾式止回閥 Single-Plate Wafer Check Valve(閘桿式 Pin type)
WL	單門對夾式止回閥 Single-Plate Wafer Check Valve(固定式 Bush type)

壓力規格序列 PRESSURE SERIES

規格 STANDARD	記號 SYMBOL	0	1	2	3	4	5	6	7	8	9
ANSI	A		125*	250*	150	300	400	600	900	1500	2500
JIS	J	5	10*	16	10	20	30	40	63	100	
ISO,BS	S	10	16*	25	16	40	64	100	160	250	320

註記："*"僅代表鑄鐵閥。
NOTE: "*" means only for CAST IRON Valve.



■ 材料規格 MATERIALS

閥體及閥片 BODY, PLATE

記號 SYMBOL	美國標準 ANSI	日本標準 JIS
C	A126 Class B	G5501 FC250
D	A536 65-45-12	G5502 FCD450
D1	A395 60-40-18	B8270 FCD-S
W	A216 Gr.WCB	G5151 SCPH2
L	A352 Gr.LCB	G5152 SCPL1
S1	A217 Gr.CA15	G5121 SCS1
S3	A351 Gr.CF8	G5121 SCS13
S4	A351 Gr.CF8M	G5121 SCS14
S6	A351 Gr.CF3M	G5121 SCS16
B	H5120 CAC406	B584 C83600
A	H5120 CAC703	B148 C95800

除上述常用材質外，其他材質亦有製作。
Other materials are available upon request.

彈簧 SPRING

記號 SYMBOL	稱呼 DESIGNATION	溫度上限 TEMP.(MAX.)
S	S.S. 316	220°C
X	INCONEL X-750	538°C

法蘭端 End Connection

型式 Type	記號 SYMBOL	面粗度 FINISH
平面 Flat Face F.F	F	63AARH
凸面 Raised Face R.F	R	120~250 AARH
環槽面 Ring Joint R.J	J	63AARH

閥座 SEAT

記號 SYMBOL	稱呼 DESIGNATION	溫度 TEMPERATURE
N	NBR(Buna-N)	0~80°C
C	CR(Neoprene)	-10~80°C
E	EPDM(EPT)	-10~100°C
F	FPE(VITON-A)	-30~150°C
O	金屬對金屬 Matel to Matel	-268~538°C
S6	S.S. 316 堆焊 Overlay	(Temp. depends
S1	13%Cr. 堆焊 Overlay	different material
6	Stellite 6# 堆焊 Overlay	& parts)

彈簧扭力 Spring Torque

扭力型式 Torque Type	記號 SYMBOL	備註 REMARKS
標準型 Standard	無記號 No Mark	液體(Liquid), Min. 90mAq 氣體(Gas), Min. 1kg/cm ²
低扭力型 LOW	L	氣體(Gas), Min. 0.1kg/cm ²

■ 雙門式止回閥的流量係數 : (CV值)

Dual-Plate Wafer Check Valves of FLOW COEFFICIENT:(CV)

DN (NPS)	40A 1-1/2"	50A 2"	65A 2-1/2"	80A 3"	100A 4"	125A 5"	150A 6"	200A 8"	250A 10"	300A 12"	350A 14"
CV	46	72	132	180	380	635	864	1650	3017	4280	5790

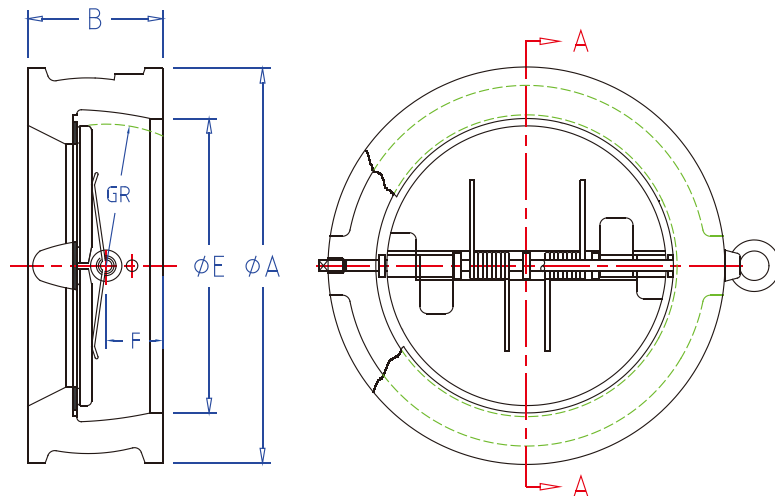
DN (NPS)	400A 16"	450A 18"	500A 20"	550A 22"	600A 24"	650A 26"	700A 28"	750A 12"	800A 14"	850A 16"	900A 18"
CV	7922	10642	13400	19500	23500	25000	30000	37200	45000	51000	59000

DN (NPS)	950A 20"	1000A 22"	1050A 24"	1100A 26"	1150A 28"	1200A 24"	1250A 26"	1300A 28"	1350A 24"
CV	70000	81000	90000	100000	116500	136100	139200	143500	154000

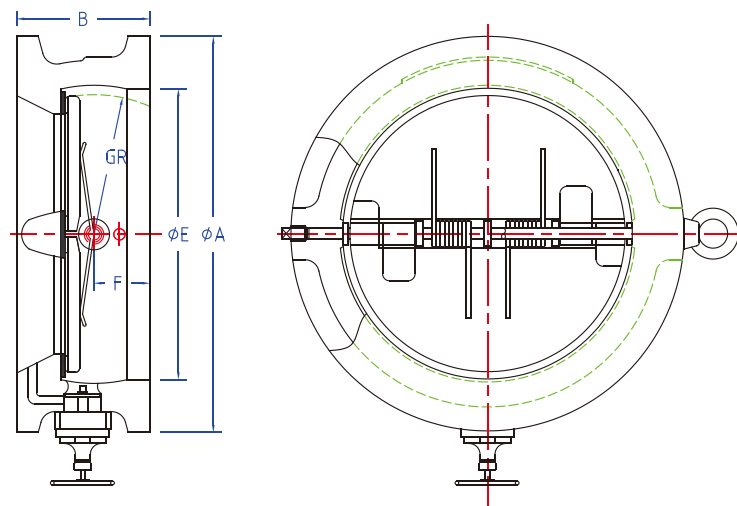


ASTAM VALVE

雙門對夾式止回閥的種類 Series of Dual-Plate Wafer Check Valves
設計依據 Design : API 594, API 6D



雙門對夾式止回閥
Dual-Plate Wafer Check Valve
型式 Type : C1



雙門對夾式止回閥附旁通閥
Dual-Plate Wafer Check Valve for by-pass
型式 Type : C2



ASTAM VALVE

DUAL-PLATE WAFER TYPE CHECK VALVE - C1 / C2 FOR ANIS / JIS / DIN INSTALLATION DIMENSIONS
ANSI / JIS / DIN 雙門對夾式 - C1 / C2 止回閥安裝尺寸表

Size	Class	Dimensions			Weight (kgs)
		AØ	B	EØ	
40(1-1/2")	*10K	86	54	60	3
	*125	86	54	60	3
	10K	86	60	60	3
	20K	86	60	60	3
	150	86	60	60	3
	300	95	60	60	3
50(2")	PN16	109	60	60	3
	PN25	109	60	60	3
	PN40	109	60	60	3.5
	*10K	101	54	60	3
	*125	105	54	60	3
	10K	101	60	60	3
	20K	101	60	60	3
	150	105	60	60	3
	300	111	60	60	3
	600	111	60	60	3
65(2-1/2")	900	143	70	60	6
	1500	143	70	60	7
	2500	146	70	60	14
	PN16	129	67	73	4
	PN25	129	67	73	4
	PN40	129	67	73	4
	*10K	121	54	73	4
	*125	124	54	73	4
	10K	121	67	73	4
	20K	121	67	73	5
80(3")	150	124	67	73	4
	300	130	67	73	4
	600	130	67	73	4
	900	165	83	73	7
	1500	165	83	73	8
	2500	168	83	73	15
	PN16	144	73	89	5
	PN25	144	73	89	5
	PN40	144	73	89	5
	*10K	131	57	89	5
*125	137	57	89	5	
100(4")	10K	131	73	89	6
	20K	137	73	89	7
	150	137	73	89	6
	300	149	73	89	7
	600	149	73	89	7
	900	168	83	89	13
	1500	175	83	89	14
	2500	197	86	89	21
	PN16	164	73	114	7
	PN25	170	73	114	7
PN40	170	73	114	8	
*10K	156	64	114	6	
*125	175	64	114	6	
125(5")	10K	156	73	114	8
	20K	162	73	114	8
	150	175	73	114	8
	300	181	73	114	8
	600	194	79	114	12
	900	206	102	114	18
	1500	210	102	114	21
	2500	235	105	114	42

備註:除上述公稱尺寸/壓力外,其它公稱尺寸/壓力亦有製作。
NOTE: Other dimensiona and class are available upon request.
Please contact with our sales department.

Size	Class	Dimensions			Weight (kgs)
		AØ	B	EØ	
125(5")	PN16	194	86	141	11
	PN25	196	86	141	14
	PN40	196	86	141	20
	*10K	187	70	141	9
	*125	197	70	141	9
	10K	187	83	141	10
	20K	200	86	141	14
	150	197	86	141	10
	300	216	86	141	14
	600	241	105	141	23
150(6")	PN16	220	98	168	15
	PN25	226	98	168	19
	PN40	226	98	168	26
	*10K	217	76	168	10
	*125	222	76	168	10
	10K	217	98	168	16
	20K	235	98	168	19
	150	222	98	168	16
	300	251	98	168	19
	600	267	136	168	33
200(8")	900	289	159	168	53
	1500	283	159	168	59
	2500	318	159	168	86
	PN16	275	127	219	30
	PN25	286	127	219	35
	PN40	293	127	219	47
	*10K	267	95	219	19
	*125	279	95	219	19
	10K	267	127	219	32
	20K	280	127	219	36
250(10")	150	279	127	219	32
	300	308	127	219	36
	600	321	165	219	68
	900	359	206	219	89
	1500	352	206	219	97
	2500	387	206	219	129
	PN16	331	146	273	42
	PN25	343	146	273	45
	PN40	355	146	273	66
	*10K	330	108	273	31
*125	340	108	273	31	
300(12")	10K	330	146	273	47
	20K	353	146	273	51
	150	340	146	273	47
	300	362	146	273	51
	600	400	213	273	104
	900	435	241	273	132
	1500	435	248	273	140
	2500	476	254	273	170
	PN16	386	181	324	61
	PN25	403	181	324	63
PN40	420	181	324	92	
*10K	375	143	324	56	
*125	410	143	324	56	
10K	375	181	324	84	
20K	403	181	324	88	
150	410	181	324	84	
300	422	181	324	88	
600	457	229	324	144	
900	498	292	324	169	
1500	521	305	324	178	
2500	549	305	324	214	



ASTAM VALVE

DUAL-PLATE WAFER TYPE CHECK VALVE - C1 / C2 FOR ANIS / JIS / DIN INSTALLATION DIMENSIONS

ANSI / JIS / DIN 雙門對夾式 - C1 / C2 止回閥安裝尺寸表

Size	Class	Dimensions			Weight (kgs)
		AØ	B	EØ	
350(14")	PN16	446	184	356	91
	PN25	460	184	356	102
	PN40	477	222	356	134
	*10K	420	184	356	71
	*125	451	184	356	71
	10K	420	184	356	97
	20K	447	222	356	176
	150	451	184	356	97
	300	486	222	356	176
	600	492	273	356	198
	900	521	356	356	198
	1500	578	356	356	198
400(16")	PN16	498	191	406	115
	PN25	517	191	406	122
	PN40	549	232	406	210
	*10K	483	191	406	99
	*125	514	191	406	99
	10K	483	191	406	159
	20K	507	232	406	227
	150	514	191	406	159
	300	540	232	406	227
	600	565	305	406	288
	900	575	384	406	550
	1500	641	384	406	750
450(18")	PN16	558	203	457	170
	PN25	567	203	457	478
	PN40	574	264	457	246
	*10K	538	203	457	118
	*125	549	203	457	118
	10K	538	203	457	185
	20K	572	264	457	301
	150	549	203	457	185
	300	597	264	457	301
	600	613	362	457	401
	900	638	451	457	770
	1500	705	468	457	980
500(20")	PN16	620	219	508	208
	PN25	627	219	508	226
	PN40	631	219	508	352
	*10K	593	213	508	180
	*125	606	213	508	180
	10K	593	219	508	243
	20K	627	292	508	373
	150	606	219	508	243
	300	654	292	508	373
	600	683	368	508	640
	900	699	451	508	1055
	550(22")	*10K	647	219	559
10K		647	219	559	231
PN16		737	222	610	208
600(24")	PN25	734	222	610	226
	PN40	750	318	610	352
	*10K	697	222	610	258
	*125	718	222	610	258
	10K	697	222	610	394
	20K	731	318	610	598
	150	718	222	610	398
	300	775	318	610	598
	600	791	438	610	918
	900	838	495	610	1700
	1500	918	610	610	1700

Size	Class	Dimensions			Weight (kgs)
		AØ	B	EØ	
550(22")	*10K	647	219	559	210
	10K	647	219	559	231
	PN16	737	222	610	208
600(24")	PN25	734	222	610	226
	PN40	750	318	610	352
	*10K	697	222	610	258
	*125	718	222	610	258
	10K	697	222	610	394
	20K	731	318	610	598
	150	718	222	610	398
	300	775	318	610	598
	600	791	438	610	918
	900	838	495	610	1700
	1500	918	610	610	1700
	650(26")	*10K	747	279	660
10K		747	279	660	700
150		775	356	660	700
700(28")	PN16	807	321	711	170
	PN25	836	321	711	178
	*10K	807	321	711	580
	10K	807	321	711	638
750(30")	150	832	321	711	692
	*10K	867	305	762	450
	*125	882	305	762	450
	10K	867	330	762	580
800(32")	150	883	330	762	580
	300	953	398	762	923
	PN16	914	356	813	560
	PN25	945	356	813	643
900(36")	*10K	917	356	813	526
	10K	917	356	813	583
	150	940	356	813	635
	PN16	1014	368	914	670
1000(40")	PN25	1045	368	914	706
	PN40	1088	484	914	1195
	*10K	1017	368	914	656
	*125	1048	368	914	656
1050(42")	10K	1017	387	914	685
	150	1048	387	914	685
	300	1118	489	914	1609
	PN16	1127	419	1016	1085
1200(48")	PN25	1131	419	1016	1134
	PN40	1158	419	1016	1260
	*10K	1121	419	1016	1010
	10K	1121	419	1016	1110
1200(48")	150	1162	419	1016	1190
	*125	1219	432	1067	1260
	150	1219	432	1067	1386
	10K	1341	524	1219	1926
	PN16	1345	524	1219	1895
	PN25	1386	524	1219	2298
	PN40	1404	629	1219	2756
	*125	1384	524	1219	2055
	10K	1341	524	1219	2119
	150	1384	524	1219	2180
	300	1324	629	1219	2755

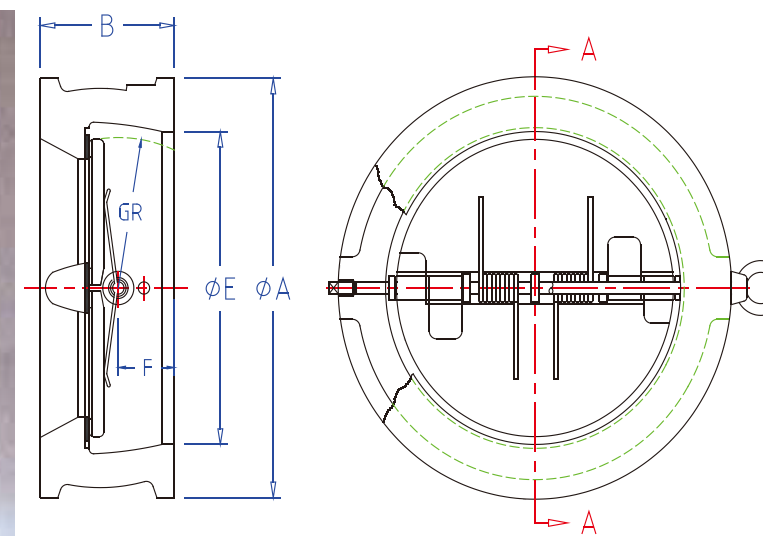
備註:除上述公稱尺寸/壓力外,其它公稱尺寸/壓力亦有製作。
NOTE: Other dimensiona and class are available upon request.
Please contact with our sales department.



ASTAM VALVE

DUAL-PLATE CHECK VALVE WAFER TYPE FOR DIN & ISO FACE TO FACE INSTALLATION DIMENSIONS

ISO 面間雙門對夾式止回閥安裝尺寸表



Size	Class	Dimensions			Weight (kgs)
		AØ	B	EØ	
DN50	PN10	109	54	60	3
	PN16	109	54	60	3
	PN25	109	54	60	3
DN65	PN10	129	54	73	4
	PN16	129	54	73	4
	PN25	129	54	73	5
DN80	PN10	144	57	89	5
	PN16	144	57	89	5
	PN25	144	57	89	6
DN100	PN10	164	64	114	6
	PN16	164	64	114	6
	PN25	170	64	114	8
DN125	PN10	194	70	141	9
	PN16	194	70	141	9
	PN25	196	70	141	10
DN150	PN10	220	76	168	10
	PN16	220	76	168	10
	PN25	226	76	168	16
DN200	PN10	275	95	219	19
	PN16	275	95	219	19
	PN25	286	95	219	30
DN250	PN10	330	108	273	31
	PN16	331	108	273	31
	PN25	343	108	273	45
DN300	PN10	380	143	324	56
	PN16	386	143	324	56
	PN25	403	143	324	80
DN350	PN10	440	184	356	71
	PN16	446	184	356	71

Size	Class	Dimensions			Weight (kgs)
		AØ	B	EØ	
DN350	PN25	460	184	356	97
	PN40	477	222	356	176
DN400	PN10	491	191	406	99
	PN16	498	191	406	99
	PN25	517	191	406	159
DN450	PN40	549	232	406	227
	PN10	541	203	457	118
	PN16	558	203	457	118
DN500	PN25	567	203	457	185
	PN40	574	264	457	301
	PN10	596	213	508	180
DN600	PN16	620	213	508	180
	PN25	927	219	508	243
	PN40	631	292	508	373
DN700	PN10	698	222	610	258
	PN16	737	222	610	258
	PN25	734	222	610	394
DN800	PN40	750	318	610	598
	PN10	813	321	711	580
	PN16	807	321	711	580
DN900	PN25	836	321	711	638
	PN10	920	356	813	526
	PN16	914	356	813	526
DN1000	PN25	945	356	813	583
	PN10	1020	368	914	656
	PN16	1014	368	914	656
DN1200	PN25	1045	387	914	685
	PN10	1127	419	1016	1010
	PN16	1131	419	1016	1010
DN1200	PN25	1158	419	1016	1110
	PN10	1344	524	1219	1926
	PN16	1345	524	1219	1926
DN1200	PN25	1368	524	1219	2119

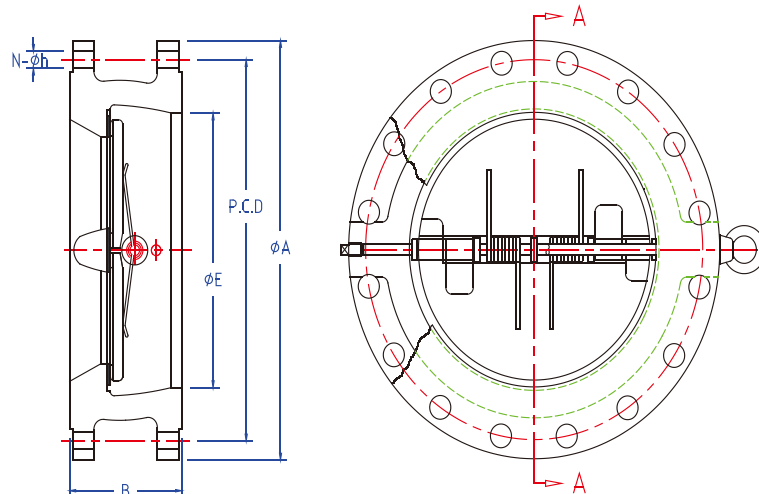
備註:除上述公稱尺寸/壓力外,其它公稱尺寸/壓力亦有製作。
NOTE: Other dimensiona and class are available upon request.
Please contact with our sales department.



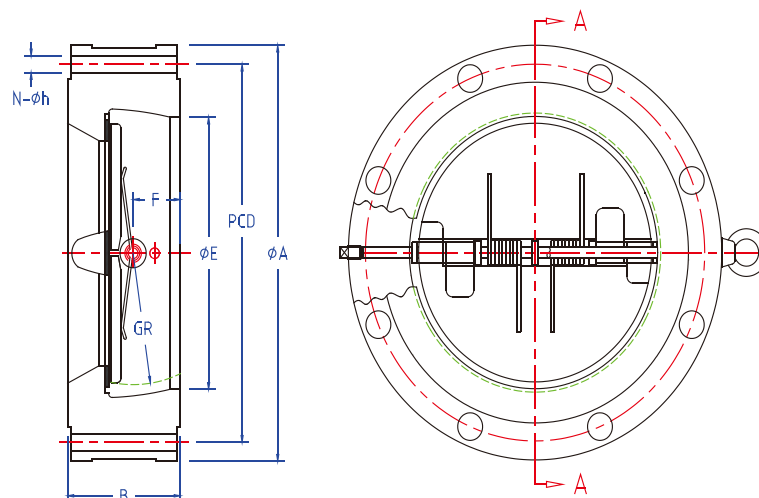
ASTAM VALVE

DUAL-PLATE FLANGE RETAINER TYPE CHECK VALVE - C3 / C4 FOR ANSI INSTALLATION DIMENSIONS

雙門對夾式 - C3 / C4 止回閥安裝尺寸表



雙門雙法蘭式止回閥
Dual-Plate Double-Flanged Check Valve
型式 Type : C3



雙門全法蘭式止回閥
Dual-Plate Full-Flanged Check Valve
型式 Type : C4



ASTAM VALVE

DUAL-PLATE FLANGE RETAINER TYPE CHECK VALVE - C3 / C4 FOR ANSI INSTALLATION DIMENSIONS

雙門對夾式 - C3 / C4 止回閥安裝尺寸表

Unit : mm

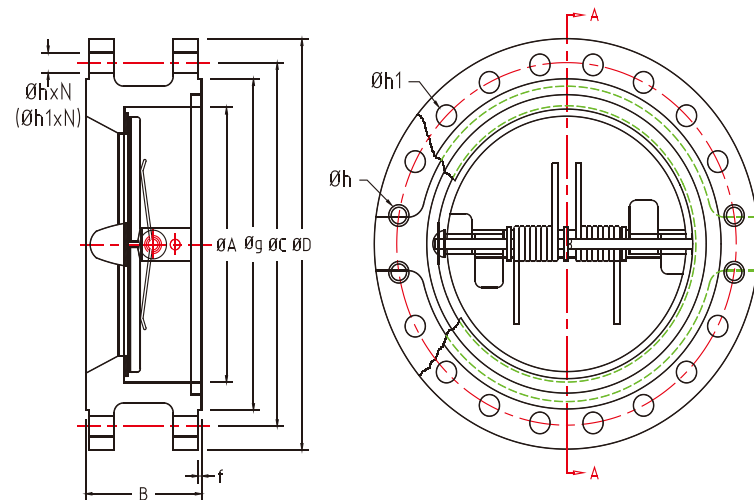
Size	Class	Dimensions			Hole P.C.D.	Hole Diameter	Number of studs	Weight (kgs)
		AØ	B	EØ				
50(2")	150	150	60	60	120	19	4	6
	300	165	60	60	120	19	8	6
65(2-1/2")	150	180	67	73	140	19	4	9
	300	190	67	73	140	19	8	9
80(3")	150	190	73	89	150	19	8	10
	300	210	73	89	160	23	8	11
100(4")	150	230	73	114	175	19	8	14
	300	255	73	114	185	23	8	16
125(5")	150	255	86	141	210	23	8	24
	300	280	86	141	225	25	8	26
150(6")	150	280	98	168	240	23	8	28
	300	320	98	168	260	25	12	30
200(8")	150	345	127	219	290	23	12	42
	300	380	127	219	305	25	12	46
250(10")	150	405	146	273	310	25	12	72
	300	445	146	273	380	27	12	77
300(12")	150	485	181	324	400	25	16	113
	300	520	181	324	430	27	16	118
350(14")	150	535	184	356	445	25	16	132
	300	585	222	356	480	33	16	136
400(16")	150	595	191	406	510	27	16	162
	300	650	232	406	540	33	16	167
450(18")	150	635	203	457	565	27	20	192
	300	710	264	457	605	33	20	199
500(20")	150	700	219	508	620	27	20	249
	300	775	292	508	660	33	20	256
600(24")	150	815	222	610	730	33	24	354
	300	915	318	610	770	39	24	361
650(26")	150	870	356	660	780	33	24	943
700(28")	150	927	321	711	840	33	24	943
750(30")	150	985	330	762	900	33	24	744
	300	1092	398	762	985	34	28	753
800(32")	150	1060	356	813	950	33	28	2221
900(36")	150	1168	387	914	1050	33	28	1080
	300	1270	489	914	1073	41	32	1150
1050 (42")	150	1289	432	1016	1200	41	36	1460
1200 (48")	150	1511	524	1219	1422	41	44	3236
	300	1466	628	1219	1371	51	32	-

備註:除上述公稱尺寸/壓力外,其它公稱尺寸/壓力亦有製作。
NOTE: Other dimensiona and class are available upon request.
Please contact with our sales department.

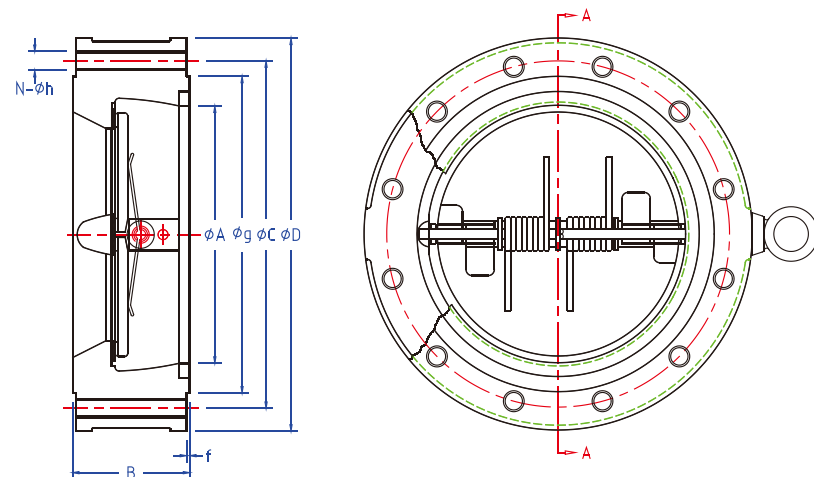


ASTAM VALVE

DUAL-PLATE FLANGE RETAINERLESS TYPE CHECK VALVE - C7 / C8 FOR ANSI INSTALLATION DIMENSIONS
雙門法蘭無塞頭式 - C7 / C8 止回閥安裝尺寸表



雙門無塞頭雙法蘭對夾式止回閥
Dual-Plate Retainerless Double Flanged
Check Valve
型式 Type : C7



雙門無塞頭全法蘭對夾式止回閥
Dual-Plate Retainerless Full-Flanged Wafer
Check Valve
型式 Type : C8



ASTAM VALVE

DUAL-PLATE FLANGE RETAINERLESS TYPE CHECK VALVE - C7 / C8 FOR ANSI INSTALLATION DIMENSIONS
雙門法蘭無塞頭式 - C7 / C8 止回閥安裝尺寸表

Unit : mm

Size	Class	Dimensions			Hole P.C.D.	Hole Diameter	Number of studs	Weight (kgs)
		AØ	B	EØ				
50(2")	150	150	60	57	120	19	44	6
	300	165	60	57	120	19	8	6
100(4")	150	230	73	108	175	19	8	14
	300	255	73	108	185	23	8	16
150(6")	150	280	98	160	240	23	8	28
	300	320	98	160	260	25	12	30
200(8")	150	345	127	208	290	23	12	42
	300	380	127	208	305	25	12	46
250(10")	150	405	146	260	310	25	12	72
	300	445	146	260	380	27	12	77
300(12")	150	485	181	308	400	25	16	113
	300	520	181	308	430	27	16	118
350(14")	150	535	184	350	450	25	16	132
	300	585	184	350	480	33	16	136
400(16")	150	595	191	400	510	27	16	162
	300	650	191	400	540	33	16	167
450(18")	150	635	203	450	565	27	20	192
	300	710	203	450	605	33	20	199
500(20")	150	700	219	500	620	27	20	249
	300	775	219	500	660	33	20	256
600(24")	150	815	222	600	730	33	24	354
	300	915	222	600	770	39	24	361
650(26")	150	870	356	650	780	33	24	943
700(28")	150	927	321	700	840	33	24	943
750(30")	150	985	330	750	900	33	24	744
	300	1092	330	750	36	34	28	753
800(32")	150	1060	356	800	950	33	28	2221
	300	1168	387	900	1050	33	28	1080
900(36")	150	1168	387	900	1050	33	28	1080
	300	1270	387	900	1085	41	32	1150
1000 (40")	150	1289	419	1016	1200	41	36	1460
1200 (48")	150	1511	524	1219	1422	41	44	3236
	300	1466	628	1219	1371	51	32	-

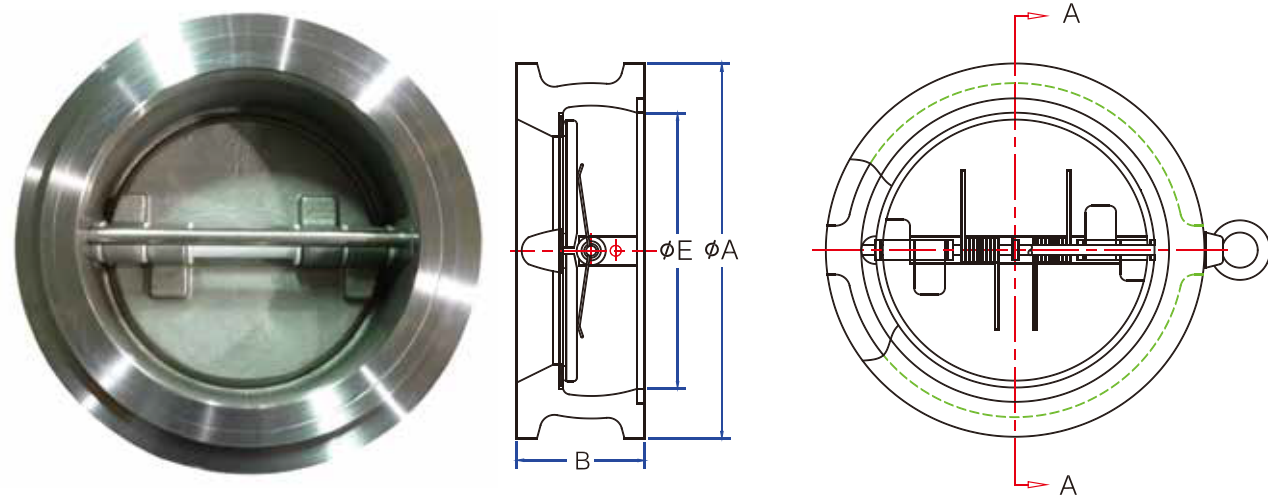
備註:除上述公稱尺寸/壓力外, 其它公稱尺寸/壓力亦有製作。
NOTE: Other dimensiona and class are available upon request.
Please contact with our sales department.



ASTAM VALVE

DUAL-PLATE WAFER RETAINERLESS TYPE CHECK VALVE - C6 FOR ANSI INSTALLATION DIMENSIONS

雙門對夾無塞頭式 - C6 止回閥安裝尺寸表



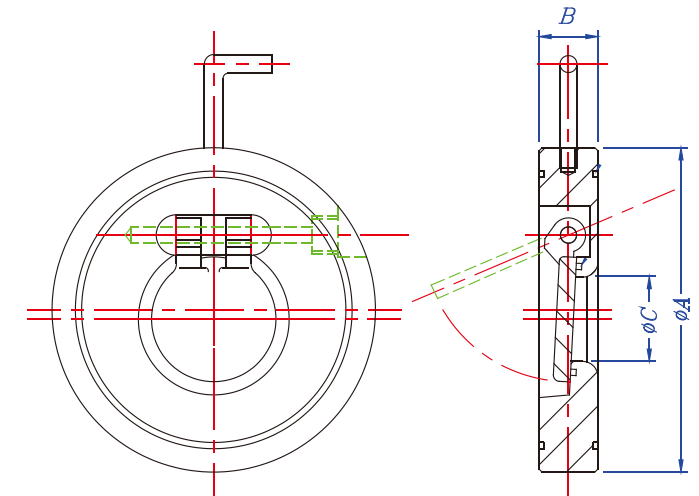
Unit : mm

Size	Class	Dimensions			Weight (kgs)
		AØ	B	EØ	
50(2")	150	105	60	57	3
	300	111	60	57	3
100(4")	150	175	73	108	8
	300	181	73	108	8
150(6")	150	222	98	160	16
	300	251	98	160	19
200(8")	150	279	127	208	32
	300	308	127	208	36
250(10")	150	340	146	260	47
	300	362	146	260	51
300(12")	150	410	181	308	84
	300	422	181	308	88
350(14")	150	451	184	350	97
	300	486	184	350	176
400(16")	150	514	191	400	159
	300	540	191	400	227
450(18")	150	549	203	450	185
	300	597	203	450	301
500(20")	150	606	219	500	243
	300	654	219	500	373
600(24")	150	718	222	600	398
	300	775	222	600	598
650(26")	150	775	356	650	700
700(28")	150	832	321	700	692
750(30")	150	883	330	750	580
	300	953	330	750	923
800(32")	150	940	356	800	635
900(36")	150	1048	387	900	685
	300	1117	387	900	1609
1050(42")	150	1289	432	1050	1386
1200(48")	150	1384	524	1200	2180
	300	1366	629	1200	2755

備註:除上述公稱尺寸/壓力外,其它公稱尺寸/壓力亦有製作。
NOTE: Other dimensiona and class are available upon request.
Please contact with our sales department.



ASTAM VALVE



單門對夾式止回閥-薄型
Single-Plate Wafer Check Valve-Short Pattern
型式 Type : SL (閘桿式Pin type)

PARTS LIST

ITEM No.	PART NAME	STANDARD MATERIAL		
		S25C*1	A351 CF8	A351 CF8M
1	BODY	S25C*1	A351 CF8	A351 CF8M
2	DISC	A351 CF8	A351 CF8	A351 CF8M
3	CLAPPER SEAL	NBR	FPM	FPM
		FPM	PTFE	PTFE
4	PIN	SUS304	SUS304	SUS316
5	PLUG	SS41	SS41	SUS316
6	L-BOLT (EYE-BOLT)	SS41	SS41	SS41
7	BODY SEAL	NBR	FPM	FPM
		FPM	PTFE	PTFE
8	DISC BEARING	PTFE	PTFE	PTFE

*1. Ghrominu plated
*2. The asteriska are installed the same materials. Ex: NBR. FPM. PTFE

FLUID SPECIFICATION

FIG	STEEL	WS3-N	WS3-F	WS3-T
	STAINLESS STEEL	S3S3-N	S3S3-F	S3S3-T
SEAL		SEAL	FPM	PTFE (SEAL ONLY)
FLUID		Air. Oil Water & Other	Air. Oil Water & Other	Air. Oil Stean & Other
Working Pressue (MAX) (kgf/cm ²)		14	12	
Fluid Temp. (MAX) (°C)		80	150	200

ANSI-150, JIS-10K, DIN-PN16 INSTALLATION DIMENSIONS

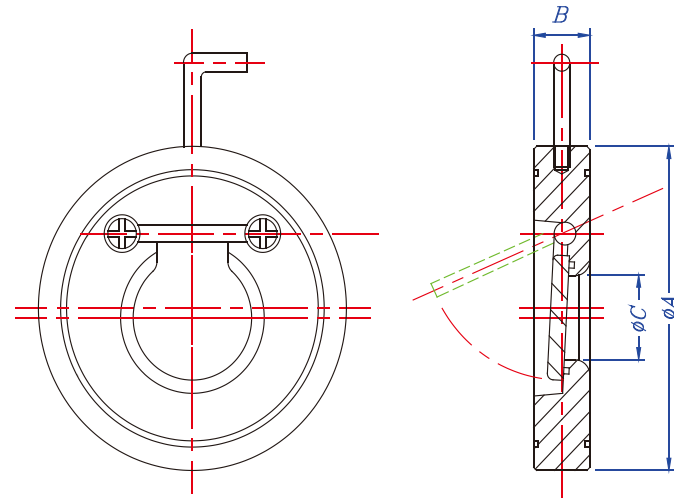
Unit : mm

Size	Class	Dimensions		
		AØ	B	CØ
50(2")	10K	104	19	27
	150	105	19	27
	PN16	109	19	27
65(2-1/2")	10K	124	19	38
	150	124	19	38
	PN16	129	19	38
80(3")	10K	134	19	46
	150	137	19	46
	PN16	144	19	46
100(4")	10K	159	19	69
	150	175	19	69
	PN16	164	19	69
125(5")	10K	190	19	90
	150	197	19	90
	PN16	194	19	90
150(6")	10K	220	24	110
	150	222	24	110
	PN16	220	24	110
200(8")	10K	270	29	140
	150	279	29	140
	PN16	275	29	140

Size	Class	Dimensions		
		AØ	B	CØ
250(10")	10K	333	50	190
	150	340	50	190
	PN16	331	50	190
300(12")	10K	378	55	216
	150	410	55	216
	PN16	386	55	216
350(14")	10K	423	60	255
	150	451	60	255
	PN16	446	60	255
400(16")	10K	486	65	299
	150	514	65	299
	PN16	498	65	299
450(18")	10K	541	70	356
	150	594	70	356
	PN16	558	70	356
500(20")	10K	596	75	387
	150	606	75	387
	PN16	620	75	387
600(24")	10K	700	85	460
	150	718	85	460
	PN16	737	85	460



ASTAM VALVE



單門對夾式止回閥-薄型
Single-Plate Wafer Check Valve-Short Pattern
型式 Type : WL (固定式Bush type)

PARTS LIST

ITEM No.	PART NAME	STANDARD MATERIAL		
1	BODY	S25C	SUS304	SUS316
2	DISC	CF8		CF8M
3	CLAPPER SEAL	NBR / FPM / PTFE		
4	BODY SEAL	NBR / FPM / PTFE / METAL		
5	WASHERS	SUS304	SUS316	
6	BOLT	SUS304	SUS316	
7	L-BOLY	SS41		

FLUID SPECIFICATION

FIG.	STEEL	WS3-N	WS3-F	S4S4-T
	STAINLESS STEEL	S3S3-N	S3S3-F	
SEAL		NBR	FPM	PTFE (SEAL ONLY)
FLUID		Air, Oil Water & Other	Air, Oil Water & Other	Air, Oil Steam & Other
Working Pressue (MAX) (kgf/cm ²)		14	12	12
Fluid Temp. (MAX) (°C)		80	150	200

INSTALLATION DIMENSIONS

Unit : mm

Size	Class	Dimensions			Weight (kgs)
		AØ	B	CØ	
50(2")	10K	104	19	27	1.2
	150#	105	19	27	1.2
	PN10 / 16	109	19	27	1.3
65(2-1/2")	10K	124	19	38	1.6
	150#	124	19	38	1.6
80(3")	10K	134	19	46	1.8
	150#	137	19	46	1.9
100(4")	10K	159	19	69	2.5
	150#	175	19	69	2.7
125(5")	10K	190	21	90	3.7
	150#	197	21	90	4.0
	PN10 / 16	194	21	90	3.9
150(6")	10K	220	24	110	5.5
	150#	222	24	110	5.7
200(8")	10K	270	29	140	11.0
	150#	279	29	140	11.5
	PN10 / 16	275	29	140	11.3



ASTAM VALVE

Size	AS2192		ISO / DIN				API 605 ANSI B16.47 Series B				ANSI B16.47 Series A				ANSI B16.5				ANSI B16.1		JIS																																																																																																																																																																																																																																																																																																																																																																																																																																																																																																																																																																																																																																																																																																																																																																																																																																																																																																																																																																																																																																																																																																																																																								
	Inch	mm	T/E	T/D	PN40	PN25	PN16	PN10	94	109	129	144	164	194	220	275	330	380	440	491	541	596	698	737	813	920	1020	1127	1344	1551	1630	1734	1630	1707	1734	1645	1734	718	775	832	883	940	1048	1162	1219	1276	1384	1435	1492	1549	1607	1715	1724	5K	10K	20K	125	150	300	600	900	1500	2500																																																																																																																																																																																																																																																																																																																																																																																																																																																																																																																																																																																																																																																																																																																																																																																																																																																																																																																																																																																																																																																																																																														
1-1/2"	40A	101.6	86	86	94	94	109	109	129	129	144	144	164	164	194	194	220	220	279	279	340	340	410	410	451	451	514	514	549	549	606	606	681	681	731	731	802	802	882	882	974	974	1084	1084	1219	1219	1384	1384	1559	1559	1724	1724	80	86	101	105	124	124	137	137	155	155	181	181	200	200	235	235	279	279	340	340	410	410	451	451	514	514	549	549	606	606	681	681	731	731	802	802	882	882	974	974	1084	1084	1219	1219	1384	1384	1559	1559	1724	1724	80	86	101	105	124	124	137	137	155	155	181	181	200	200	235	235	279	279	340	340	410	410	451	451	514	514	549	549	606	606	681	681	731	731	802	802	882	882	974	974	1084	1084	1219	1219	1384	1384	1559	1559	1724	1724	80	86	101	105	124	124	137	137	155	155	181	181	200	200	235	235	279	279	340	340	410	410	451	451	514	514	549	549	606	606	681	681	731	731	802	802	882	882	974	974	1084	1084	1219	1219	1384	1384	1559	1559	1724	1724	80	86	101	105	124	124	137	137	155	155	181	181	200	200	235	235	279	279	340	340	410	410	451	451	514	514	549	549	606	606	681	681	731	731	802	802	882	882	974	974	1084	1084	1219	1219	1384	1384	1559	1559	1724	1724	80	86	101	105	124	124	137	137	155	155	181	181	200	200	235	235	279	279	340	340	410	410	451	451	514	514	549	549	606	606	681	681	731	731	802	802	882	882	974	974	1084	1084	1219	1219	1384	1384	1559	1559	1724	1724	80	86	101	105	124	124	137	137	155	155	181	181	200	200	235	235	279	279	340	340	410	410	451	451	514	514	549	549	606	606	681	681	731	731	802	802	882	882	974	974	1084	1084	1219	1219	1384	1384	1559	1559	1724	1724	80	86	101	105	124	124	137	137	155	155	181	181	200	200	235	235	279	279	340	340	410	410	451	451	514	514	549	549	606	606	681	681	731	731	802	802	882	882	974	974	1084	1084	1219	1219	1384	1384	1559	1559	1724	1724	80	86	101	105	124	124	137	137	155	155	181	181	200	200	235	235	279	279	340	340	410	410	451	451	514	514	549	549	606	606	681	681	731	731	802	802	882	882	974	974	1084	1084	1219	1219	1384	1384	1559	1559	1724	1724	80	86	101	105	124	124	137	137	155	155	181	181	200	200	235	235	279	279	340	340	410	410	451	451	514	514	549	549	606	606	681	681	731	731	802	802	882	882	974	974	1084	1084	1219	1219	1384	1384	1559	1559	1724	1724	80	86	101	105	124	124	137	137	155	155	181	181	200	200	235	235	279	279	340	340	410	410	451	451	514	514	549	549	606	606	681	681	731	731	802	802	882	882	974	974	1084	1084	1219	1219	1384	1384	1559	1559	1724	1724	80	86	101	105	124	124	137	137	155	155	181	181	200	200	235	235	279	279	340	340	410	410	451	451	514	514	549	549	606	606	681	681	731	731	802	802	882	882	974	974	1084	1084	1219	1219	1384	1384	1559	1559	1724	1724	80	86	101	105	124	124	137	137	155	155	181	181	200	200	235	235	279	279	340	340	410	410	451	451	514	514	549	549	606	606	681	681	731	731	802	802	882	882	974	974	1084	1084	1219	1219	1384	1384	1559	1559	1724	1724	80	86	101	105	124	124	137	137	155	155	181	181	200	200	235	235	279	279	340	340	410	410	451	451	514	514	549	549	606	606	681	681	731	731	802	802	882	882	974	974	1084	1084	1219	1219	1384	1384	1559	1559	1724	1724	80	86	101	105	124	124	137	137	155	155	181	181	200	200	235	235	279	279	340	340	410	410	451	451	514	514	549	549	606	606	681	681	731	731	802	802	882	882	974	974	1084	1084	1219	1219	1384	1384	1559	1559	1724	1724	80	86	101	105	124	124	137	137	155	155	181	181	200	200	235	235	279	279	340	340	410	410	451	451	514	514	549	549	606	606	681	681	731	731	802	802	882	882	974	974	1084	1084	1219	1219	1384	1384	1559	1559	1724	1724	80	86	101	105	124	124	137	137	155	155	181	181	200	200	235	235	279	279	340	340	410	410	451	451	514	514	549	549	606	606	681	681	731	731	802	802	882	882	974	974	1084	1084	1219	1219	1384	1384	1559	1559	1724	1724	80	86	101	105	124	124	137	137	155	155	181	181	200	200	235	235	279	279	340	340	410	410	451	451	514	514	549	549	606	606	681	681	731	731	802	802	882	882	974	974	1084	1084	1219	1219	1384	1384	1559	1559	1724	1724	80	86	101	105	124	124	137	137	155	155	181	181	200	200	235	235	279	279	340	340	410	410	451	451	514	514	549	549	606	606	681	681	731	731	802	802	882	882	974	974	1084	1084	1219	1219	1384	1384	1559	1559	1724	1724	80	86	101	105	124	124	137	137	155	155	181	181	200	200	235	235	279	279	340	340	410	410	451	451	514	514	549	549	606	606	681	681	731	731	802	802	882	882	974	974	1084	1084	1219	1219	1384	1384	1559	1559	1724	1724	80	86	101	105	124	124	137	137	155	155	181	181	200	200	235	235	279	279	340	340	410	410	451	451	514	514	549	549	606	606	681	681	731	731	802	802	882	882	974	974	1084	1084	1219	1219	1384	1384	1559	1559	1724	1724	80	86	101	105	124	124	137	137	155	155	181	181	200	200	235	235	279	279	340	340	410	410	451	451	514	514	549	549	606	606	681	681	731	731	802	802	882	882	974	974	1084	1084	1219	1219	1384	1384	1559	1559	1724	1724	80	86	101	105	124	124	137	137	155	155	181	181	200	200	235	235	279	279	340	340	410	410	451	451	514	514	549	549	606	606	681

